

## THE SUREFIRE NO-HASSLE GUARANTEE

**We'll do what it takes to keep your SureFire gear running smoothly.**

SureFire warrants that if you—our customer—purchase one of our products, and we determine that it is defective in material and/or workmanship during your lifetime, we will repair or replace it—no hassle! Rechargeable batteries and chargers are warranted for two years from the date of purchase. SureFire hearing-protection products are warranted for 90 days from the date of purchase. Our warranty does not cover consumables or normal wear-and-tear, or damage resulting from abuse, alterations, unauthorized repairs, or use contrary to SureFire's user manuals. To help protect your investment SureFire offers reasonable rates to repair damage to our products not covered by our warranty, such as a core rebuild for a suppressor damaged by improper use. You will be provided with a quote for approval before work begins.

## STANDARD DISCLAIMER

Except as specified above or prohibited by applicable law: all express or implied conditions and warranties, including, without limitation, any implied warranty or condition of merchantability or fitness for a particular purpose, or accuracy of any informational content, are hereby excluded and disclaimed by SureFire; and in no event will SureFire be liable for any special, direct, indirect, consequential, incidental or punitive damages howsoever arising and regardless of the theory of liability, even if advised of the possibility of such damages. Products, prices, availability, specifications, and offers are subject to change or cancellation at any time without notice.

## WARRANTY CLAIMS

For claims, contact Customer Service at 714-545-9444 to obtain a Return Merchandise Authorization number (RMA#). Then package the unit carefully and send to (no CODs):

SureFire, LLC.  
Repairs Department, RMA# \_\_\_\_\_  
17680 Newhope, Suite B  
Fountain Valley, CA 92708

SureFire will pay reasonable shipping costs to return the unit to you.



Revision B 10-2017  
71-01-1045  
6PX TACTICAL & G2X TACTICAL

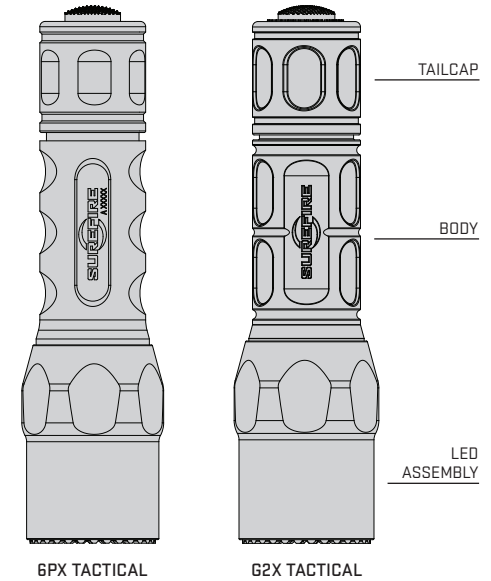
18300 MT. BALDY CIRCLE  
FOUNTAIN VALLEY, CA 92708-6122  
SUREFIRE.COM

Patents: RE40125, D639478, D644775



## 6PX™ TACTICAL / G2X™ TACTICAL SINGLE-OUTPUT LED FLASHLIGHTS

6PX-C-BK  
G2X-C-BK



6PX TACTICAL

G2X TACTICAL

| Specifications        | 6PX                 | G2X                 |
|-----------------------|---------------------|---------------------|
| <b>Output</b>         | 600 lumens          | 600 lumens          |
| <b>Intensity</b>      | 8,700 candela       | 8,700 candela       |
| <b>Runtime</b>        | 1.5 hrs.            | 1.5 hrs.            |
| <b>Weight</b>         | 5.2 oz. (147 g)     | 4.4 oz. (125 g)     |
| <b>Length</b>         | 5.2 in. (13.2 cm)   | 5.2 in. (13.2 cm)   |
| <b>Bezel Diameter</b> | 1.25 in. (3.175 cm) | 1.25 in. (3.175 cm) |

All performance claims tested to ANSI/NEMA FL1-2009 Standard.

USER MANUAL

## 6PX™ TACTICAL / G2X™ TACTICAL

### GET THE BEST FROM THE BEST

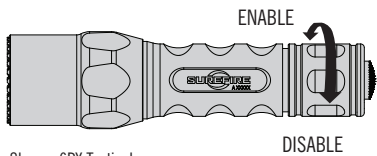
Your SureFire illumination tool has been designed and manufactured to provide years of reliable service. Please review this manual to ensure optimal performance.

### LOCKOUT TAILCAP

Most SureFire illumination tools feature a lockout tailcap, which prevents accidental activation during storage or transport. The tailcap may need to be enabled prior to light operation.

**To enable**, rotate tailcap clockwise until pressing pushbutton activates light.

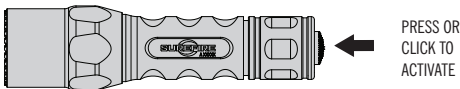
**To lock out tailcap**, rotate counterclockwise until light will not activate when pushbutton is pressed.



Shown: 6PX Tactical

### LIGHT OPERATION

The 6PX and G2X are equipped with a click-type tailcap pushbutton switch. For momentary-on activation, press the push button partially. For constant-on activation, press the pushbutton fully. Release pushbutton or click again to deactivate.



Shown: 6PX Tactical

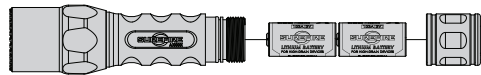
### BATTERY INSTALLATION / REPLACEMENT

#### ⚠ WARNING

Use of substandard batteries can cause injury or property damage. Visit [www.surefire.com/batterysafety](http://www.surefire.com/batterysafety).

The 6PX and G2X ships with two preloaded batteries. To load or replace batteries:

1. Unscrew tailcap counterclockwise and remove.
2. Remove old batteries and dispose of properly.



Shown: 6PX Tactical

3. Insert new 123A lithium batteries with positive (+) terminals oriented forward.
4. Replace tailcap by screwing on clockwise. Press pushbutton (with tailcap enabled) to test.

*Note: Never mix old and new batteries; always replace all batteries at same time.*

#### ⚠ BATTERY INFORMATION & WARNING

Before replacing batteries, read the enclosed BATTERY INFORMATION/WARNING insert in your original packaging. For additional battery safety, handling, and product information, visit [www.surefire.com/batteries](http://www.surefire.com/batteries).

### MAINTENANCE

Use a clean, dry cloth to wipe off body and window. Periodically clean and lubricate threads and O-rings using a thin coat of non-migrating, silicone-based lubricants. Avoid using petroleum-based lubricants that can damage O-rings. For additional tips on maintaining your SureFire illumination tool, visit [www.surefire.com/faqs-maintenance](http://www.surefire.com/faqs-maintenance).

### ACCESSORIES

SureFire makes a full line of accessories for most of its illumination tools. For a complete listing, visit [www.surefire.com/partsaccessories](http://www.surefire.com/partsaccessories).